

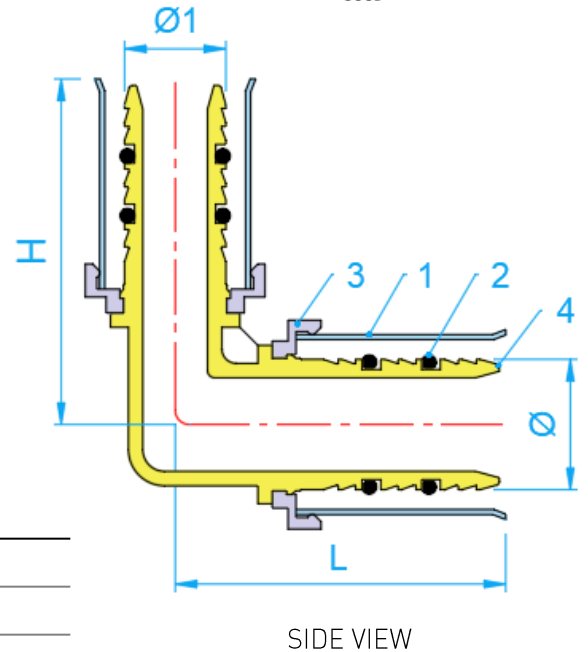
# PEX PRESS-FIT FITTINGS (U PROFILE)



COMPLY WITH BS EN ISO 21003-1:2008  
 BS EN ISO 21003-3:2008  
 BS EN ISO 21003-5:2008  
 BS EN 12165:2016  
 AS/NZS 4020:2005  
 SS 375:2015



## F5 90° REDUCING ELBOW



### COMPONENT PARTS

| ITEM | PARTS          | MATERIAL                  |
|------|----------------|---------------------------|
| 1    | Sleeve         | AISI304                   |
| 2    | O Ring         | EPDM                      |
| 3    | Plastic Gasket | PE                        |
| 4    | Body           | DZR Brass (Nickel Plated) |

### DIMENSIONS

| SKU             | SIZE<br>(mm) | Ø<br>(mm) | Ø1<br>(mm) | L<br>(mm) | H<br>(mm) | WEIGHT<br>(kg) | PCS/CTN |
|-----------------|--------------|-----------|------------|-----------|-----------|----------------|---------|
| PEXF5RE9002016* | 20X16        | 15.8      | 11.8       | 38.5      | 40.5      | 0.060          | 200     |
| PEXF5RE9002516* | 25X16        | 19.8      | 11.8       | 45.5      | 42.5      | 0.092          | 128     |
| PEXF5RE9002520* | 25X20        | 19.8      | 15.8       | 47.5      | 42.5      | 0.104          | 112     |
| PEXF5RE9003216* | 32X16        | 25.8      | 11.8       | 45.5      | 46.0      | -              | -       |
| PEXF5RE9003220* | 32X20        | 25.8      | 15.8       | 47.5      | 46.0      | -              | -       |
| PEXF5RE9003225* | 32X25        | 25.8      | 19.8       | 49.5      | 52.5      | 0.160          | 80      |
| PEXF5RE9004025* | 40X25        | 31.8      | 19.8       | 60.0      | 55.0      | -              | -       |
| PEXF5RE9004032* | 40X32        | 31.8      | 25.8       | 64.0      | 55.1      | -              | -       |
| PEXF5RE9005025* | 50X25        | 40.8      | 19.8       | 60.0      | 60.0      | -              | -       |
| PEXF5RE9005032* | 50X32        | 40.8      | 25.8       | 64.0      | 60.0      | -              | -       |
| PEXF5RE9005040* | 50X40        | 40.8      | 31.8       | 67.5      | 72.5      | 0.488          | 24      |
| PEXF5RE9006332* | 63X32        | 50.7      | 25.8       | 87.0      | 67.0      | -              | -       |
| PEXF5RE9006340* | 63X40        | 50.7      | 31.8       | 90.0      | 79.5      | -              | -       |
| PEXF5RE9006350  | 63X50        | 50.7      | 40.8       | 95.5      | 79.5      | 0.900          | 8       |

\*This item requires special ordering. Please consult with a salesperson for the estimated lead time.